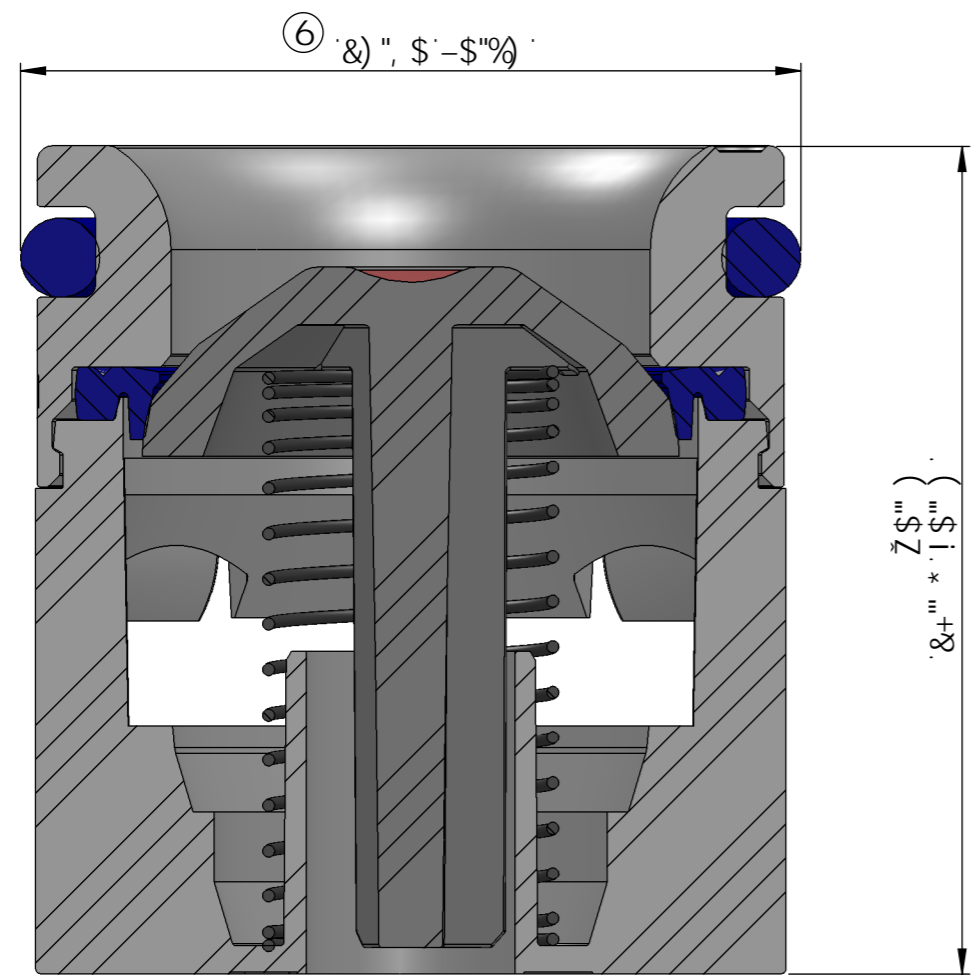


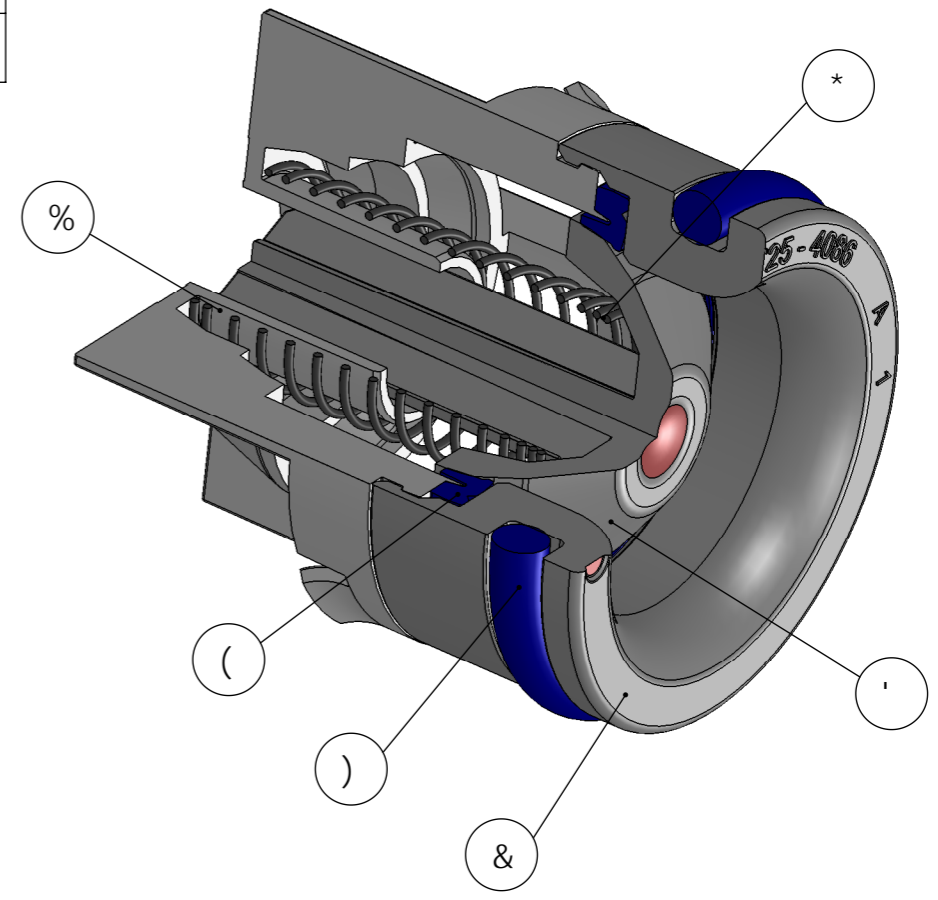
L?-(\$, * '5%

#PA 'BC"	89G7 F-DHC B	GFGD5FHBI A 69F	8F5K =B; 'BI A 69F	A 5H9F-5@	F9J -GCB	E HM
%	C J &) '6cXm	L?-(\$, * '56	E **)%%\$\$	DC A	6	%
&	C J &) '7 Ud	L?-(\$, * '5%7	E **)%%\$\$	DC A	5	%
'	C J &) 'Di b[Yf	L?-(\$, * '5D	E **)%%\$'	DC A	6	%
(C J &) '€	LC -(\$, * '€	E **)%%\$(G@7 C B9	.	%
)	C J &) '9C F	LC -(\$, * '9G	E **)%%\$)	G@7 C B9		%
*	C J &) 'Gd f]b[LC -(\$, * 'G%	E **)%%\$*	' \$(# \$* 'GH-B @GG GH99@	5	%

CdYb]b['dfYggi fY %) '?D5 ⑤



G79@@FI D'FI 669F'G9FJ-79G
 DFC8I 7H.L?-(\$, * '5%
 85 H9.+#-\$%&
 5DDFCJ98.'G' U i b'GdUWm
 GU'Yg'8 Ydh'
 5DDFCJ98.'F'Ua Ub'G]b[\
 E i U]m8 Ydh'



5!5 'f(: %&

6	57 FC GG'CF-B; '8-5A 9H9F '58> GH98	* # \$- #&\$%&	G8 ;
5	'cdYb]b['Zc'FW UX↑ gYX'hc'%)_dU	%+#\$, #&\$%&	G8 ;
F9J "	89G7 F-DHC B	85H9	8F5K B

F9J -GCBG

<p>Yb[]bYYfYX'fi VVYf'UbX'd'UghVg</p>	DFC>97HH=H@9.	7<97?'J5@9	F9A 5F?G	HC@9F5B79 F9: 9F HC H<9 GD97<=98 GH5F85F8G	5B; I @5F' -%\$ fi BCL	DFC>97H'. A 5H9F=5@	E ! **)% J 5F=CI G	<p>H<=FB 5B: @9DFC>97H=CB</p>			
	8F5K =B; H=H@9.	C J &) 'UggYa V'm		D@5GH=7! '8=B %- \$-% FI 669F!'=GC'' \$&! % fi BCL	GI F: 579: =B=G< fi BCL	K 9=; <H 8F5K B	G8;		%&#%&\$%& G75@9''&.%		
H\]g'g\YYh'lg'dfcdYfmi'cZ': I @ 'fBNE'@hX''FYdfcXi Vh]cbz i h]]gu]cb'cf'X]gVt'gi fY'hc'h\]fX'dUfh]Yg]b'UbmZcfa'k\Ung'Y]f]g'bc'h'U'ck'YX'k]h'ci'h'k'f]hYb'W'bgYbh'cZ'h'Y'dfcd]h'c'f'g'	8F5K =B; BI A 69F.	DFC8I 7HBI A 69F.	HMD9 GH5HI G	5ggYa V'm 'ggi YX	8=A 9BG=CBG'5F9'=B'A =@=A 9H9FG	7<97?98	!	!	G<99H'G=N9 F9J-G=CB	5'	6
%	&	()	*	+	,	.	:			