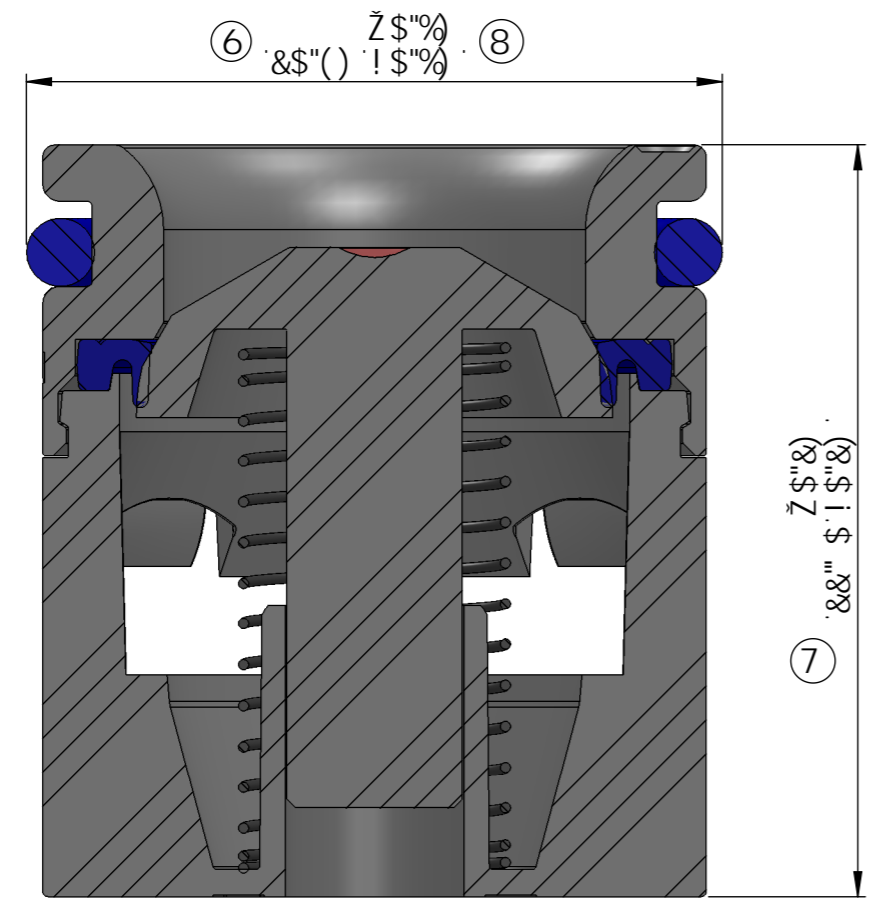


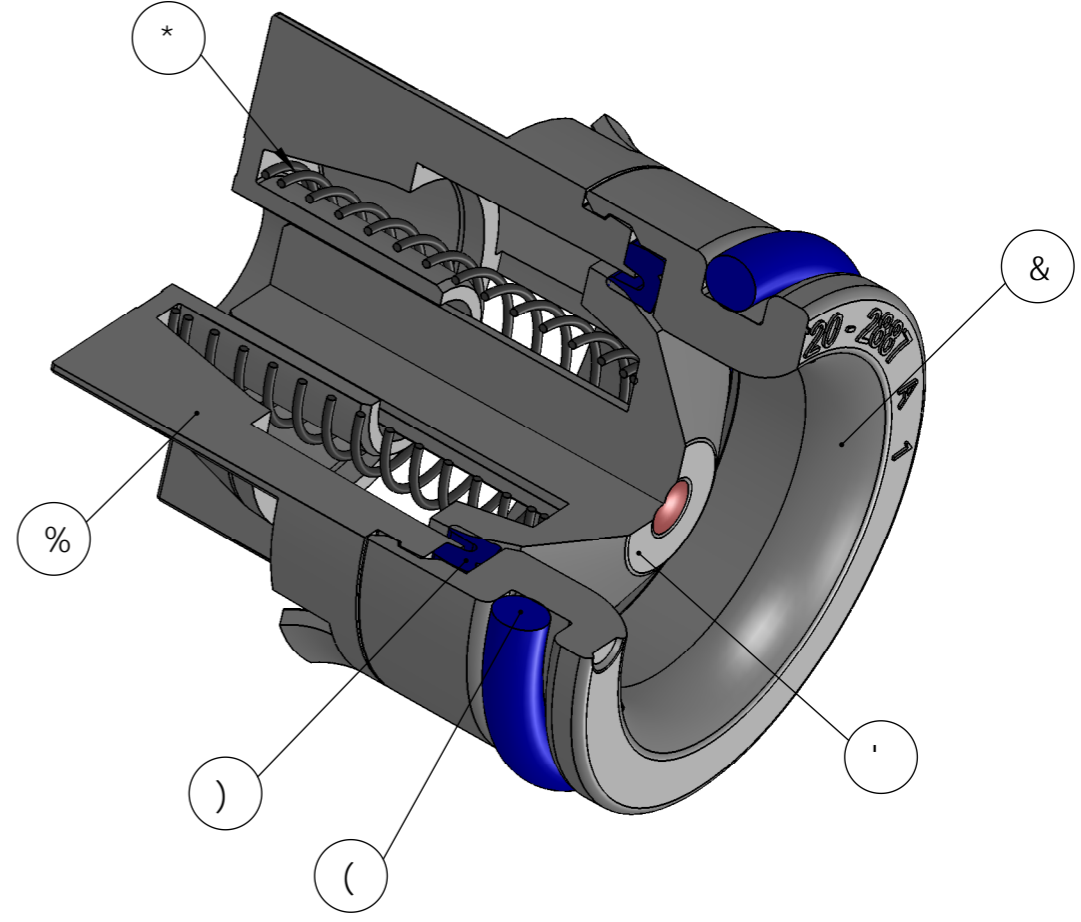
L? - &, + 5%

#DA BC"	89G7F-DHC B	GFGD5FHBI A 69F	8F5K B; BI A 69F	A 5H9F-5@	FYj jg]cb	E HM
%	C J &\$'6cXm	L? - &, + 56	E **) \$!%\$\$	DC A	5	%
&	C J &\$'5%7 Ud	L? - &, + 5%7	E **) \$!%\$\$	DC A	7	%
'	C J &\$'Di b[Yf	L? - &, + 5D	E **) \$!%\$'	DC A		%
(C J &\$'€	LC - &, + '€	E **) \$!%\$(G@7 C B9	5	%
)	C J &\$'9C F	LC - &, + '9G	E **) \$!%\$)	G@7 C B9		%
*	C J &\$'Gd f]b[LC - &, + 'G%	E **) \$!%\$*	' \$(# \$* GH5 B @9GG GH99@	5	%

CdYb]b['dfYggi fY **'%) '?D5** ⑤



G?9 @@FI D'FI 669F'G9FJ=9G
DFC8I 7H.L? - &, + 5%
 85H9. % #&\$%
 5 DDFCJ98. 'G U' b'GdUW'm
 GU'Yg'8 Ydh'
 5 DDFCJ98. 'F Ua Ub'G]b[\\
 Ei U]m8 Ydh'



8	8ja Ybg]cb'UWfcg'hY'c'f]b['UX↑ g'YX'Z'ca '&\$'') Z# '\$%' ""'rc &\$'() Z# '\$%')	% #&\$%&\$%	G8;
7	8ja Ybg]cb'UX↑ g'YX '&&'%rc '&&' "	+ #&\$%&\$%	G8;
6	57FCGGC'F B; '58> GH98'5GD9F'75D56-@HM GH 8M	* #&\$%&\$%	G8;
5	cdYb]b['dfYggi fY'rc '%')_dU	%+ #&\$%&\$%	G8;
F9J "	89G7F-DHC B	85H9	8F5K B



DFC>97HH=H@9.		7<97? J5@9		F9A 5F?G		HC@9F5B79 F9: 9F HC H<9 GD7< =98 GH5F85F8G		5B; I @5F' -%\$ fi BCŁ		DFC>97H' A 5H9F=5@		E !**) \$ J 5F=CI G		⊕ ⊖ H<=F85B: @9DFC>97H<CB	
8F5K =B; H=H@9.		C J &\$' UggYa V'm				D@5GH=7! '8=B %- \$-% FI 669F!' =GC'' \$&! % fi BCŁ		GI F: 579: =B=G< %		K 9=; <H		G<99H''%C: %			
8F5K =B; BI A 69F.		DFC8I 7HBI A 69F.		HMD9		8=A 9BG=CBG'5F9' =B'A =@=A 9H9FG		8F5K B		G8;		+ #&\$%&\$%		G75@9''&.%	
E **) \$!%\$\$		L? - &, + 5%		GH5HI G		8C' BCH'G75@9' 8F5K =B;		5DDFCJ98		!		!		5' 8	