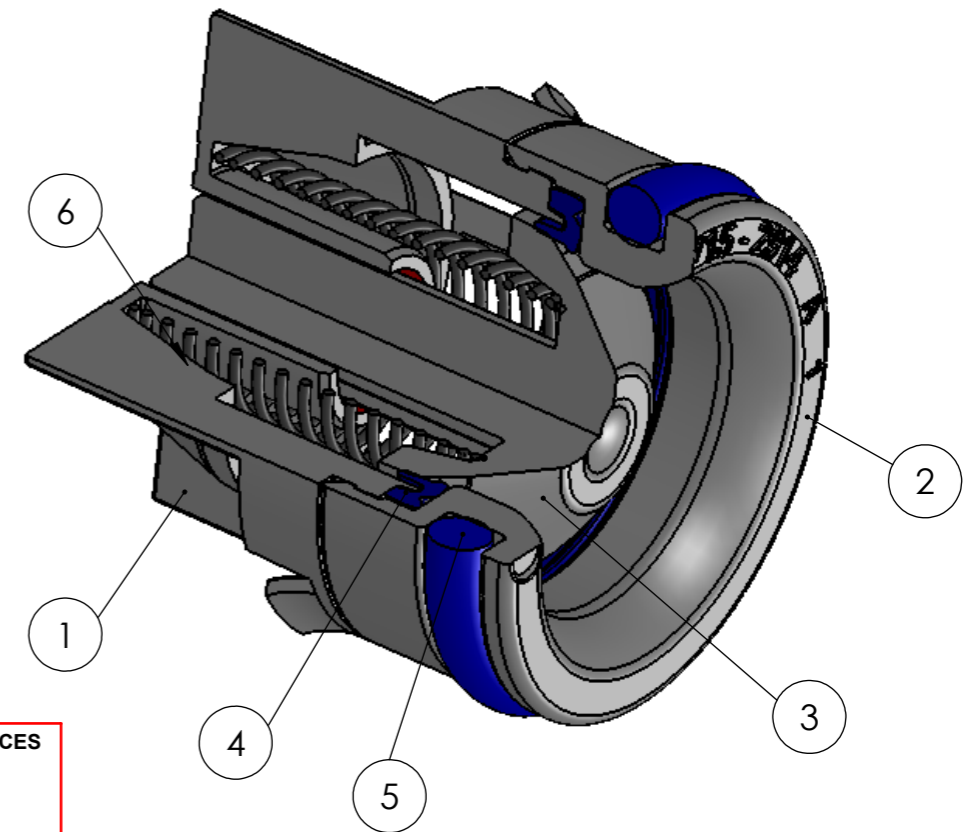
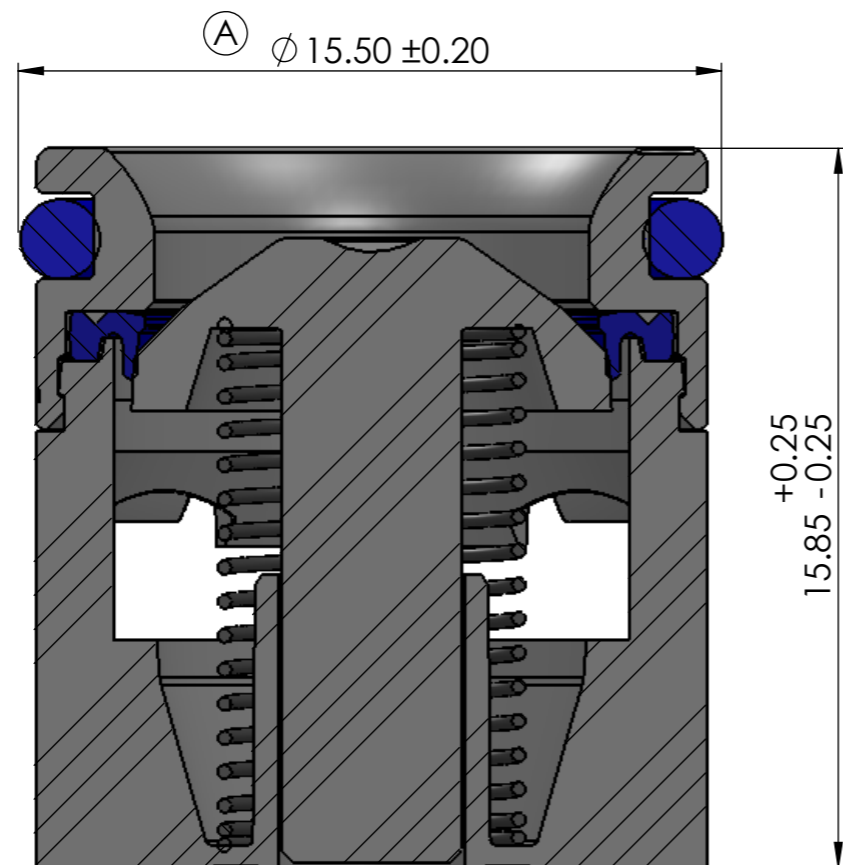


XK92914 A1

ITEM NO.	DESCRIPTION	SRS Part number	DRAWING NUMBER	MATERIAL	REVISION	QTY.
1	OV15 Body	XK 92914 AB	Q6649-101	POM	B	1
2	OV15 Cap	XK92914 A1C	Q6649-102	POM	A	1
3	OV15 Plunger	XK92914 AP	Q6649-103	POM		1
4	OV15 IS	XO92914 IS	Q6649-104	SILICONE	A	1
5	OV15 EOR	XO92914 ES	Q6649-105	SILICONE		1
6	OV15 Spring	XO92914 S1	Q6649-106	304/306 Stainless Steel		1

Opening pressure	2 KPA
-------------------------	--------------



SKELLERUP RUBBER SERVICES
PRODUCT: XK92914 A1
DATE: 29/01/2013
APPROVED: Shaun Spacey
 Sales Dept.
APPROVED: Raman Singh
 Quality Dept.

Certification

- WRAS
- NSF61
- KTW

B	Certification table added	29/01/2013	SDG
A	oring assembly dimension adjusted as per capability study	6/09/2012	SDG
REV.	DESCRIPTION	DATE	DRAWN

REVISIONS

	PROJECT TITLE: CHECK VALVE	REMARKS	TOLERANCE <small>REFER TO THE SPECIFIED STANDARDS</small>	ANGULAR $\pm 1^\circ$ (UNO)	PROJECT # Q-6649	 THIRD ANGLE PROJECTION
	DRAWING TITLE: OV15 Assembly		PLASTIC - DIN 16901 RUBBER - ISO 3302-1 (UNO)	SURFACE FINISH $\frac{1.6}{\sqrt{\quad}}$ (UNO)	WEIGHT	
This sheet is property of GULF (NZ) Ltd. Reproduction, utilisation or disclosure to third parties in any form whatsoever is not allowed without written consent of the proprietors.	DRAWING NUMBER: Q6649-100	PRODUCT NUMBER: XK92914 A1	DIMENSIONS ARE IN MILLIMETERS		CHECKED	SCALE 2:1
			STATUS	ASSEMBLY	APPROVED	REVISION