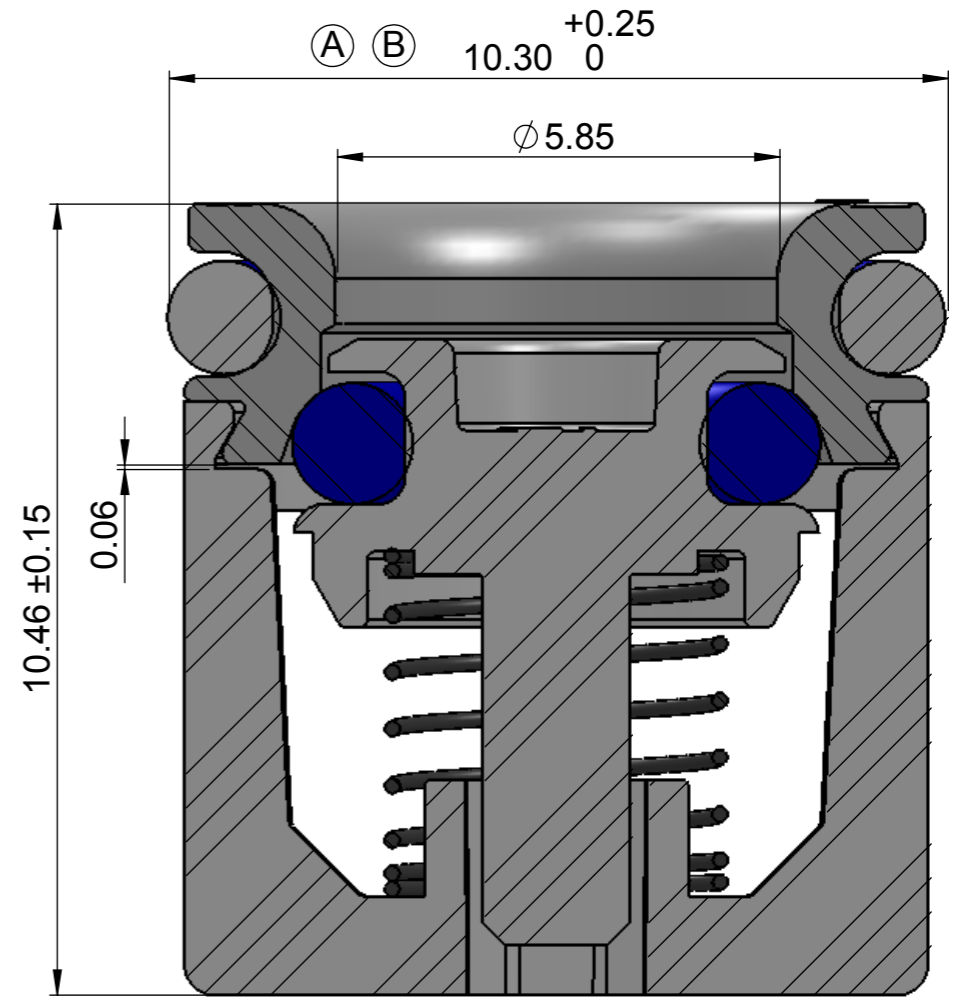


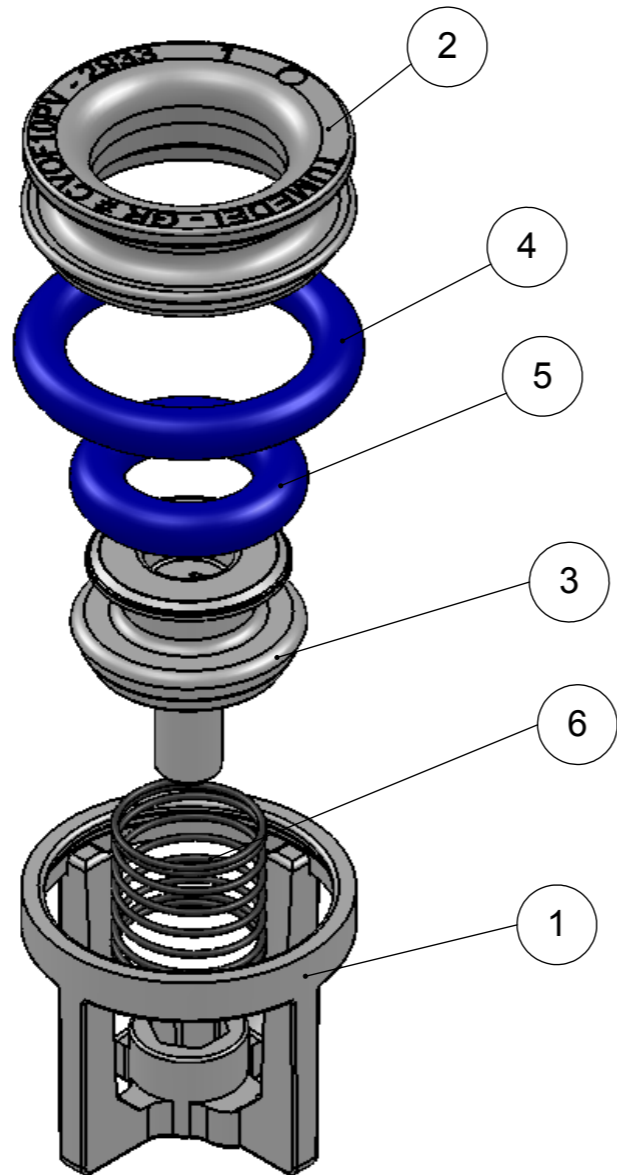
XK92933 A1

ITEM NO.	DESCRIPTION	SRS Part number	Drawing number	MATERIAL	Revision	QTY.
1	10mm Body	XK92933 AB	Q6648-101	POM	A	1
2	10mm Cap	XK92933 AC	Q6648-102	POM	B	1
3	10mm Plunger	XK92933 AP	Q6648-103	POM	A	1
4	External O'ring	XO92933 ES	Q6648-104	SILICONE		1
5	Internal O'ring	XO92933 IS	Q6648-105	SILICONE		1
6	OF10 spring	XO92933 S1	Q6648-106	304/306 STAINLESS STEEL		1

Opening pressure	3 KPA
-------------------------	--------------



E-E (10 : 1)



SKELLERUP RUBBER SERVICES
PRODUCT: XK92933 A1
DATE: 29/01/2013
APPROVED: Shaun Spacey
Sales Dept.
APPROVED: Raman Singh
Quality Dept.

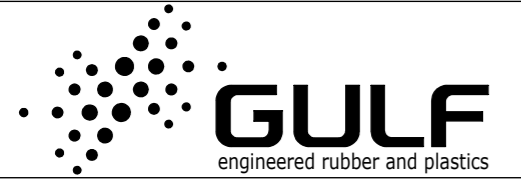
Certification

- WRAS
- NSF61
- KTW

C	Certification table added	29/01/2013	SDG
B	Across oring adjusted (for EP oring)	20/11/2012	SDG
A	Dimension adjusted to suit capability study	5/09/2012	SDG
-	Initial design	4/11/2010	SDG
REV.	DESCRIPTION	DATE	DRAWN

REVISIONS

TOLERANCE <small>REFER TO THE SPECIFIED STANDARDS</small> PLASTIC - DIN 16901 RUBBER - ISO 3302-1 <small>(UNO)</small>	ANGULAR $\pm 1^\circ$ <small>(UNO)</small> SURFACE FINISH $\sqrt{1.6}$ <small>(UNO)</small>	PROJECT #	Q-6648		 <small>THIRD ANGLE PROJECTION</small>
		MATERIAL	VARIOUS		
DIMENSIONS ARE IN MILLIMETERS DO NOT SCALE DRAWING		WEIGHT			SCALE 5:1
		DRAWN	SDG	10/9/2012	SHEET SIZE
		CHECKED	-	-	REVISION
		APPROVED	-	-	A3
					C



PROJECT TITLE:	CHECK VALVE		REMARKS
DRAWING TITLE:	OF10 Assembly		
DRAWING NUMBER:	Q6648-100	PRODUCT NUMBER:	XK92933 A1

TYPE	ASSEMBLY
STATUS	issued