

OV25LP Check Valve

Features

- Easy to insert
- 100% factory tested for sealing operation
- low headloss
- low cracking pressure
- External oring groove
- Spring loaded plunger
- Locking tabs - no retainer required

Check Valve External Dimensions

OD#1	24.75
ID	16.00
Height	27.60

Materials

Outer Cap	Acetal
Inner Core	Acetal
Plunger	Acetal
Body	Acetal
Spring	304 S/S
Seal	NBR 4614
O'ring	NBR 4614

FLOW RATE CURVE

Certification

Potable Water	AS4020
---------------	--------

Performance

Technical Data

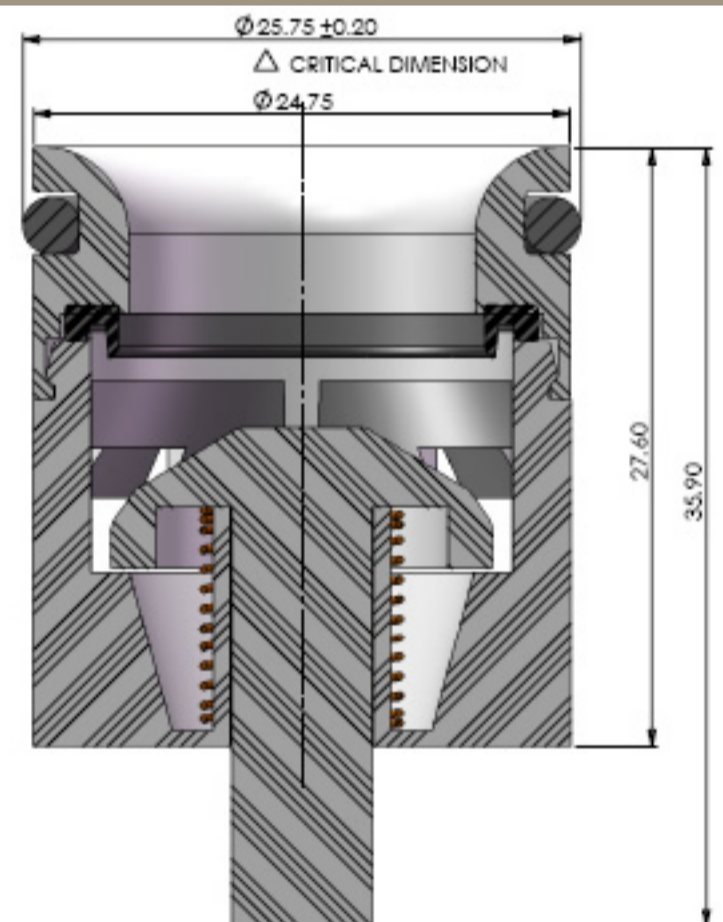
Service Temperature

Max C	60
Min C	0

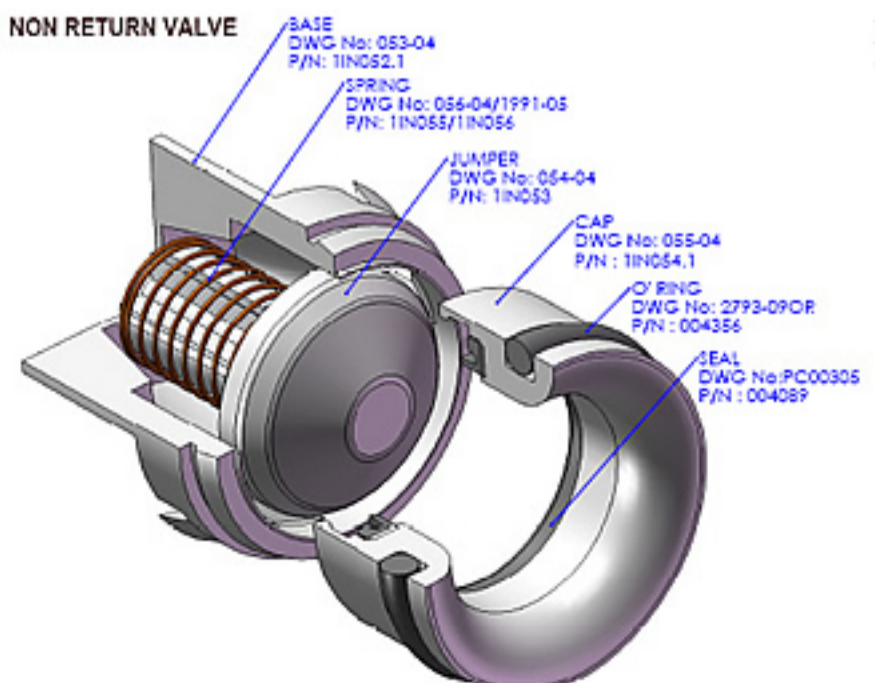
Service Pressure

Max Kpa	2000
Min Kpa	0
Fluid	Clean Water

Opening Pressure



NON RETURN VALVE



GULF
engineered rubber and plastics